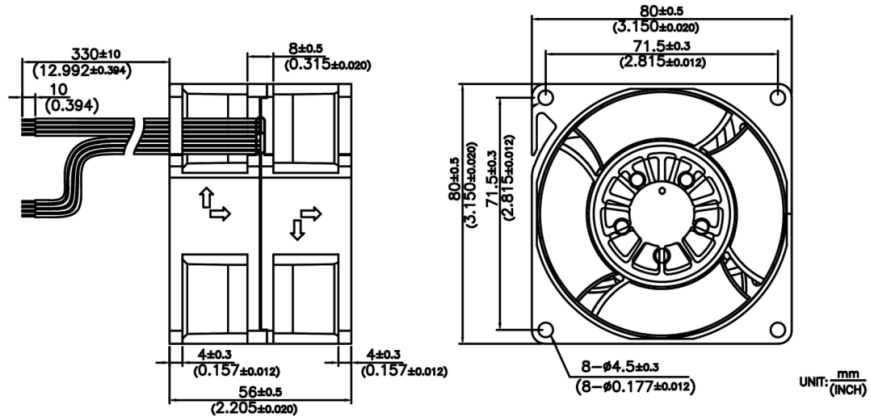
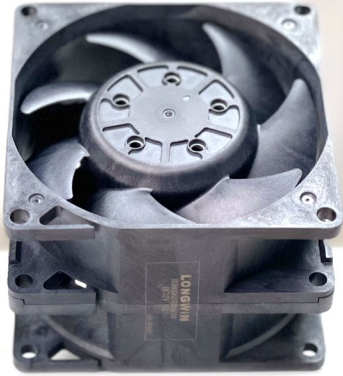
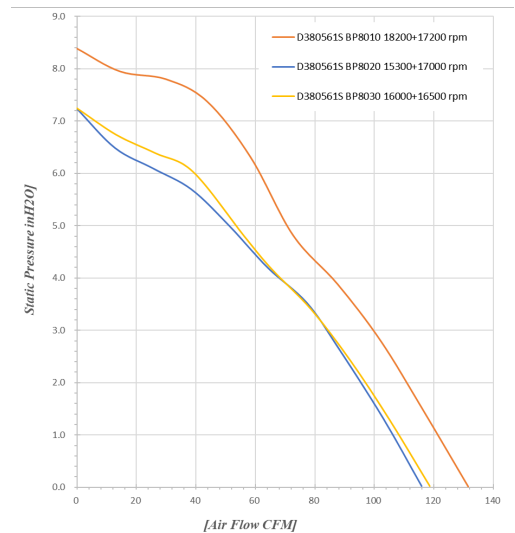


## iCloud Fan 80\*80\*56 MM

### DIMENSION DRAWING



Housing : Plastic (UL 94V-0)  
 Impeller : Plastic (UL 94V-0)  
 Bearing : Ball bearing  
 Lead Wires : UL10368 AWG22 OR Equivalent  
 Mass : 315g



Product Type	Model No.		Control Type	Bearing Type	Rated Voltage	Operating Voltage Range	Input Current	Input Power	Inlet fan Speed	Outlet fan Speed	Maximum Air Flow		Maximum Air Pressure			Noise
					VDC	VDC	A	W	R.P.M	R.P.M	CFM	m <sup>3</sup> /min	inH <sub>2</sub> O	mmH <sub>2</sub> O	Pa	dB(A)
8056 12V 三相系列	D380561S	BP8010	+/-FG/PWM	Ball	12	10.8~13.2	5.7	68.5	18200	17200	131.5	3.7	8.38	212.9	2087	86.1
	D380561S	BP8020	+/-FG/PWM	Ball	12	10.8~13.2	4.1	49.0	15300	17000	115.8	3.3	7.23	183.8	1801	84.2
	D380561S	BP8030	+/-FG/PWM	Ball	12	10.8~13.2	4.5	54.0	16000	16500	120.0	3.4	7.50	190.5	1868	78.0
8056 24V 三相系列	D380562S	BP8010	+/-FG/PWM	Ball	24	10.8~13.2	2.9	68.5	18200	17200	131.5	3.7	8.38	212.9	2087	86.1
	D380562S	BP8020	+/-FG/PWM	Ball	24	10.8~13.2	2.0	49.0	15300	17000	115.8	3.3	7.23	183.8	1801	84.2
	D380562S	BP8030	+/-FG/PWM	Ball	24	10.8~13.2	2.3	54.0	16000	16500	120.0	3.4	7.50	190.5	1868	78.0